

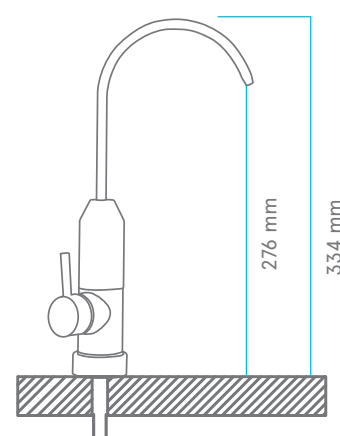
→ 1-Way faucet with integrated LED/UV lamp system

LUMINA

(Ref. 820512)

FEATURES

| | |
|--------------------------------------|--|
| MODEL | LUMINA 1-Way UV |
| MEASURES | 82,3 x 52 x 334mm |
| LED POWER | >130 mW |
| MAXIMUM OPERATING HOURS | >2.000H |
| START-UP OPERATION WHEN WATER PASSES | Si |
| VOLUME | 3 L/min |
| DISINFECTION RATE | ≥99,99% |
| PROTECTION AGAINST MOISTURE | 2PX6 |
| PRESSURE | 0 - 5 bar |
| TEMPERATURE | 5°C - 45°C |
| INPUT VOLTAGE | 100 - 240V ~ 50-60 Hz 1 .0A |
| OUTPUT VOLTAGE | 24 Vdc 1A |
| NOZZLE DIAMETER | Ø 28 - 30 mm |
| EQUIPMENT CONNECTION | Quick connection 3/8" - 1/4" Quick connection 3/8" - 3/8" |



-  RING IN CONSTANT GREY "ON HOLD"
-  RING IN CONSTANT BLUE "IN OPERATION"
-  BLUE FLASHING RING "LED/UV FAILURE"



WLG (B-60326279), is member of the Water Quality Association.



ACCREDITED BY ENAC
Certif. nº 34/5200/14/0712

The trading of water treatment and household appliances as well as designing and teaching of non-official training courses related with its technology are certified and comply with the UNE-ISO-9001 far WLG (B-60326279).



WLG (B-60326279) is an Aqua España member, who belongs Aqua Europa (Federation of European nation associations).



WLG (B-60326279), has the rights granted for Authorized Economic Operator with number ESAEOF18000008U6 and 13/02/2018 as a date of entry of the authorization.