

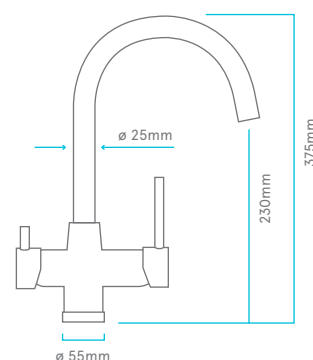
→ Kitchen Faucet (4 Way)

SIRA

(Ref. 298080)

CHARACTERISTICS

MAIN FUNCTION	4-way tap for dispensing hot-cold mains water and high-flow natural cold treated water for use in reverse osmosis systems..
WEIGHT	1,6 kg
TYPES OF WATER	Cold, hot, osmotized and treated.
FINISH	Polished steel.
CONNECTIONS	Cold / hot water: F-3/8" BSP Osmosis water: M-7/16" / M 1/4" JACO
MAXIMUM PRESSURE	10 bars
TEMPERATURE (MÍN-MAX)	0 °C - 60 °C



ACCESSORIES

- Base trim.
- Washer (Type C).
- Clamping nut.
- 4 flexi (2 with 3/8" F connection and 1 with 7/16" M connection)



WLG (B-60326279), is member of the Water Quality Association.



ACCREDITED BY ENAC
Certif. nº 34/5200/14/0712

The trading of water treatment and household appliances as well as designing and teaching of non-official training courses related with its technology are certified and comply with the UNE-ISO-9001 far WLG (B-60326279).



WLG (B-60326279) is an Aqua España member, who belongs Aqua Europa (Federation of European nation associations).



WLG (B-60326279), has the rights granted for Authorized Economic Operator with number ESAE0F1800008U6 and 13/02/2018 as a date of entry of the authorization.