

→ Ozone generator. Complement for hygiene and cleaning. Deodorizing and whitening effect.

# LAUNDRY-800

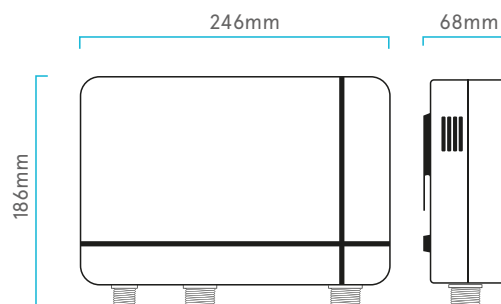
(Ref. 820501)

## SPECIFICATIONS

OZONE GENERATION IN WATER	0,3 - 1,2 ppm
MAXIMUM CHLORINE INLET	2 ppm
MAXIMUM TDS INLET	1000 ppm a 2 ppm free chlorine
INLET PRESSURE	1,4 - 4 bar
INLET WATER TEMPERATURE	5° - 38° C
WORKING ENVIRONMENT TEMPERATURE	5° - 50° C
WORK FLOW	3,5 - 6 l/min.
POWER SUPPLY	Transformer input: AC 100-240V/50-60Hz Transformer output: DC 12V 3A
MAXIMUM POWER CONSUMPTION	36 W
OZONE GENERATION METHOD	Corona discharge
TYPE OF INSTALLATION	Wall mounting bracket included
DIMENSIONS (mm)	246 x 186 x 68
WEIGHT	Net: 0,94 kg. Gross: 1,5 Kg.
CONNECTIONS	Inlet: M - 3/4" Washing machine outlet: M - 3/4" Faucet outlet: M - 1/2"



**INCLUDES EXTERNAL FAUCET  
FOR OTHER WASHING  
APPLICATIONS**



DECREASE OF  
SOFTENERS AND  
DETERGENTS



BETTER FOR  
SENSITIVE SKIN



DIRECT ACCESS



LEAKING SENSOR  
Automatic system  
leak detection



EASY TO  
USE



WLG (B-60326279), is member of the Water Quality Association.



ACREDITED BY ENAC  
Certif. nº 34/5200/14/0712

The trading of water treatment and household appliances as well as teaching of non-official training courses related with its technology, are certified and comply with the UNE-ISO-9001 for WLG (B-60326279).



WLG (B-60326279) is an Aqua España member, who belongs Aqua Europa (Federation of European nation associations).



WLG (B-60326279), has the rights granted for Authorized Economic Operator with number ESAE0F18000008U6 and 13/02/2018 as a date of entry of the authorization.